



904-T Clinómetro Pak (weatherproof housing)

El "clinómetro Pak" es un clinómetro biaxial de bajo costo con una salida análoga, para una gran variedad de aplicaciones en pruebas y mediciones. Con un transductor electrolítico lleno de líquido como elemento de detección. El transductor es excitado y leído por la electrónica estable, de poco ruido. El clinómetro se presenta en un recinto a prueba de mal tiempo nema 4X (IP65) y proporciona las señales del voltaje análogo para la inclinación de X, la inclinación de Y y la temperatura. Cada "clinómetro Pak" viene con un cable de 10 pies (los 3m). Longitudes de cable a 1650 pies (500 m) están disponibles.

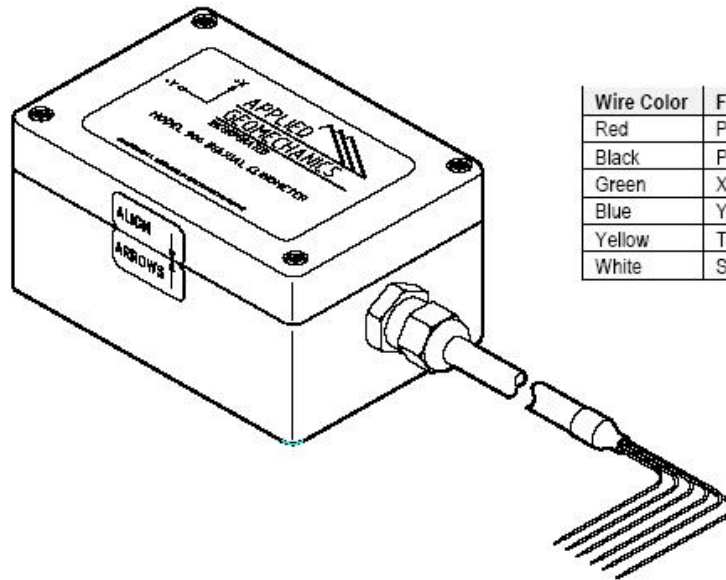
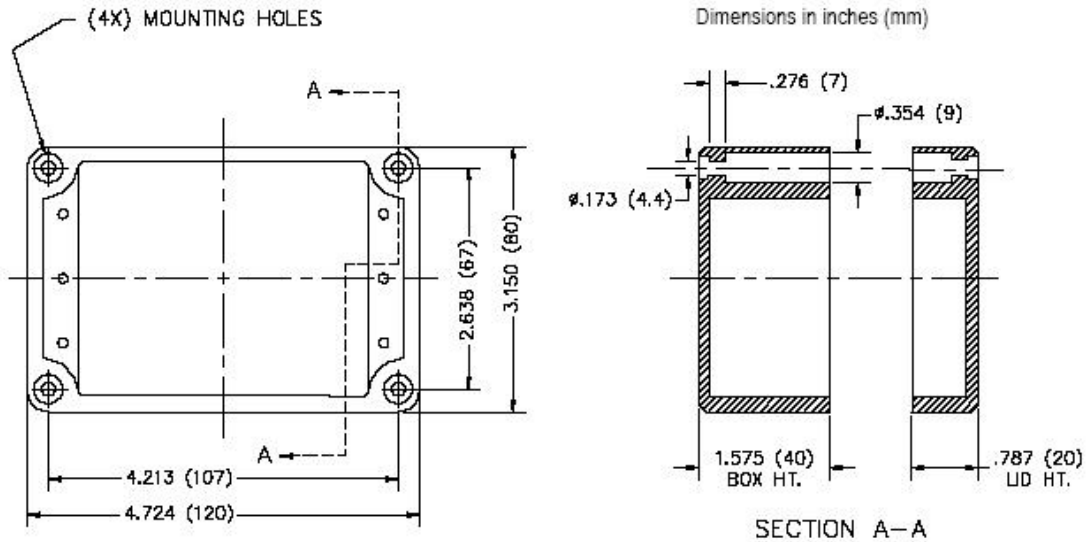


	Model 904-TH High-Gain Version	Model 904-TS Standard Version	Model 904-TW Wide-Angle Version
ANGULAR RANGE	±10 degrees	±25 degrees	±50 degrees
SCALE FACTOR	4°/ volt typical	10°/ volt typical	25°/ volt typical
RESOLUTION	0.005 degree of angle	0.01 degree of angle	0.02 degree of angle
REPEATABILITY	0.01 degree	0.02 degree	0.04 degree
HYSTERESIS	0.01 degree	< 0.02 degree	< 0.04 degree
LINEARITY	1% of full span typical	2.5% of full span typical	7.5% of full span typical (1.2% of half span)
TIME CONSTANT, T	0.15 second		
TILT OUTPUT	Two orthogonal tilt angles, ±2.5 volts single-ended (standard), 0-5 volts available		
TEMPERATURE OUTPUT	0.1°C/mV, ±0.75°C accuracy; 0°C = 0 mV (bipolar output version), 0°C = 2.5 V (0-5 V output version)		
OUTPUT IMPEDANCE	270 Ohms		
NATURAL FREQUENCY	10 Hz; available with viscous sensor to damp vibrations		
TEMPERATURE COEF.	Span: +0.03%/°C, Zero: ±10 arc sec/°C typical		
POWER REQUIREMENTS	+8 to +24 VDC (bipolar output version) or +10.5 to +26.5 VDC (0-5 V output version) @ 7 mA, 250 mV ripple max., reverse polarity protected		
ENVIRONMENTAL	-10 to +70 degrees C operating and storage, 100% humidity		
ENCLOSURE & MOUNTING	Painted, NEMA 4X (IP65) aluminum box, 120 x 80 x 60 mm. Four 4.4 mm dia. mounting holes.		
CABLE	10 ft (3 m) multiconductor cable with PVC jacket and tinned ends, greater lengths on request		
WEIGHT	1 lb (0.4 kg)		



ENSESA, S.A. DE C.V.

Model 904-T "Clinometer Pak"



Wire Color	Function
Red	Power
Black	Power Ground
Green	X Tilt
Blue	Y Tilt
Yellow	Temperature
White	Signal Ground

Ordering Information

Model 904-TH	±10 degrees range
Model 904-TS	±25 degrees range
Model 904-TW	±50 degrees range

Additional Features and Accessories

Part No.	Feature
0-5VUP	0-5 volt output
VISCDAMP	Critically damped viscous sensor
P/N 70369	Additional cable, specify length
P/N 62204	6-pin male receptacle (connector) for tiltmeter cable
P/N 62202	6-socket in-line plug (mates to P/N 62204)
Model 870	Readout module (requires purchase of P/N 62204)
RMS225	Digital multimeter display unit (used with Model 870)
81439	Mounting bracket for vertical surfaces
84051	Mounting plate for horizontal surfaces