



MD900-T Clinómetro Digital & Análogo

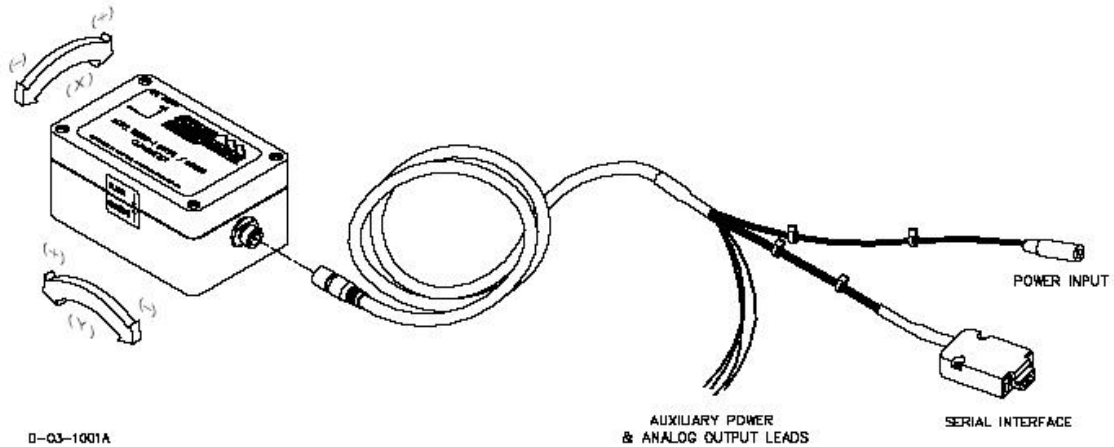
El MD900-T es un clinómetro biaxial económico con las características de gran alcance asociadas típicamente a instrumentos más costosos. Muchos miles están en uso actualmente para la colocación de antenas, aplicaciones de supervisión marina en superficie y submarina, estructural y geotécnica, y pruebas y mediciones industriales. Mejorado recientemente con nuestra electrónica "IRIS", el nuevo MD900-T tiene un consumo de energía más bajo y mayor confiabilidad que antes. El sensor interno es un transductor electrolítico sin piezas móviles mecánicas. El clinómetro se instala en una caja NEMA 4X (IP65). Salida de datos (inclinación de X, inclinación de Y, No. de serie y temperatura) se proporcionan en varios formatos digitales, y los datos se representan gráficamente y se registran fácilmente con nuestro software del usuario-interfase de ZAGI, incluido con cada unidad.



	High-Gain Version	Standard Version	Wide-Angle Version
ANGULAR RANGE	±10 degrees	±25 degrees	±50 degrees
RESOLUTION	0.002 degree	0.004 degree	0.01 degree
REPEATABILITY	0.01 degree (static)	0.01 degree (static)	0.02 degree (static)
HYSTERESIS	0.02 degree	0.02 degree	0.04 degree
LINEARITY	1% of full span typical	1% of full span typical	1% of full span typical
DIGITAL OUTPUT	RS232 standard, RS485 (RS422) available, transmit and receive. Two orthogonal tilt angles plus temperature and serial no. Baud rate: 9600 (default), 19200, 28800, 57600, 115200, 230400 Formats: NMEA XDR, Trimble proprietary, Ashtech compatible, simple (X, Y, Temperature, Serial No.)		
ANALOG OUTPUT	X and Y tilt channels: 0-4.75 Volts DC, single-ended		
TIME CONSTANT, <i>T</i>	0.15 second; output is proportional to $1 - e^{-t/0.15}$ where <i>t</i> is time in seconds		
NATURAL FREQUENCY	7 Hz		
TEMPERATURE COEF.	Span: <0.02%/°C typical. Zero (bias): 10 arc seconds/°C typical. Lower values available.		
POWER REQUIREMENTS	7-28 VDC @ 30 mA, 250 mV peak-to-peak ripple max., reverse polarity and surge protected. 12V wall transformer included		
ENVIRONMENTAL	-40° to +85° C operating and storage; 100% humidity, not submersible; IP65 (NEMA 4X) rating		
ENCLOSURE	Painted, die cast aluminum box, 120 x 80 x 60 mm. 1.8m (6 ft) cable included.		
WEIGHT	550g (1.2 lb)		

Ordering Information	Part No.
High-gain version, Model MD900-TH	98010-03
Standard version, Model MD900-TS	98010-01
Wide-angle version, Model MD900-TW	98010-02
Add viscously damped sensor	VISCDAMP
Additional 1.8m (6 ft) cable whip, terminated	84033
1.8m (6 ft) cable whip, unterminated	66166-01
Additional 12V wall transformer	00254-02
Horizontal mounting plate	84051
Vertical mounting bracket	81439

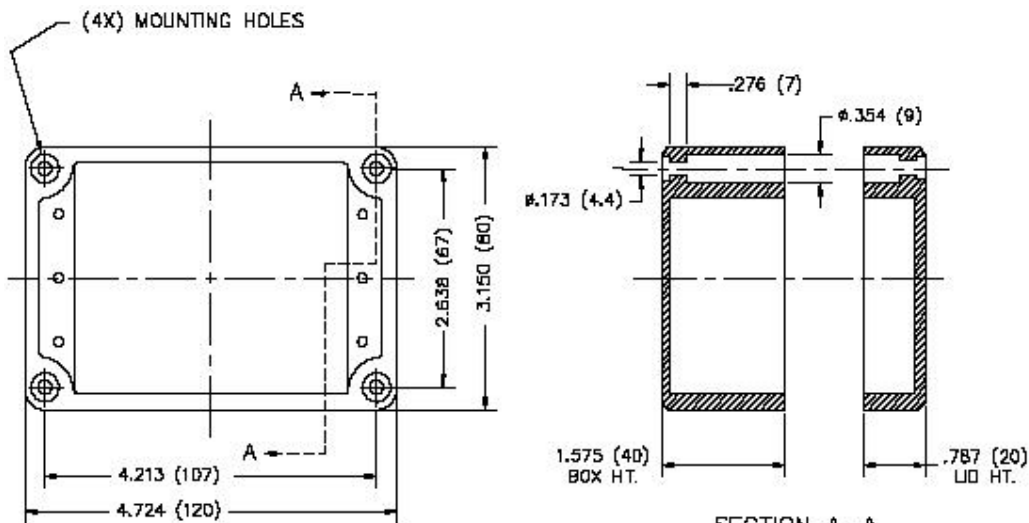
Model MD900-T Digital & Analog Clinometer



0-03-1001A

Model MD900-T Digital/Analog Clinometer with Part No. 84033 Cable Whip (Included)

Part No. 84033 Cable Whip			
Circular Connector Pin	Wire Color	Function	DB9 Connector Pin
1	Red-White	Ground	5
2	Red	Power (7-28 VDC)	—
3	Green	Analog X Out	—
4	Red-Yellow	Receive Data (RXD)	3
5	Red-Black	Transmit Data (TXD)	2
6	Red-Blue	Analog Y Out	—



DIMENSIONS IN inches (mm)

We reserve the right to change specifications without prior notice as the result of continuing development.